

Porta Systems' line of xDSL Solid State Protector Modules provides dependable protection for today's high speed communications networks. Balanced, ultralow capacitance, solid state circuitry minimizes noise and signal loss in high frequency networks.

The modules protect sensitive circuitry by responding to surges in nanoseconds. Breakdown voltage is tightly controlled by clamping precisely and dependably even after long repeated use. An integral fail-safe mechanism permanently shorts the protector to ground in the presence of sustained overvoltage. Heat coils provide overcurrent protection in the event of power crosses and other dangerous sneak currents.

FEATURES & BENEFITS

- Pending UL 497 listing for primary protection
- For xDSL and Pair Gain systems
- Detent position facilitates testing
- Reduces service calls and repair costs
- Single-pin configuration compatible with other manufacturers equipment
- Corrosion resistant tin plated pin
- Heat coil guards against sneak current and overcurrent charges
- Extremely low capacitance, balanced over-voltage protection circuit
- Low insertion loss (<-0.5dB)
- Balanced circuitry
- Fails "safe" by permanently shorting to ground in the event of sustained overvoltage
- Minimizes transmission loss at high frequencies
- Tightly controlled breakdown voltages



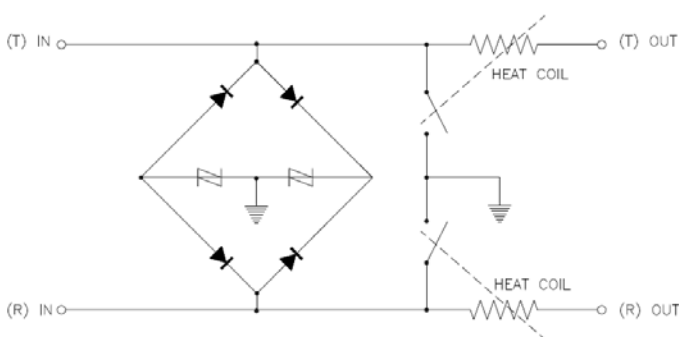
ORDERING INFORMATION

Configuration	Style	Heat Coil	230 Volt
Single-Pin	Tin	6.5Ω	15SCNHDSL-230

The models listed above represent our most popular protectors. Contact our sales department for other models not shown.

ELECTRICAL SPECIFICATIONS:

Electrical	230 Volt	Test Parameters
DC Breakdown Voltage (Line to Ground)	215-265V	2000V/Sec max
DC Breakdown Voltage (Line to Line)	430-530V	2000V/Sec max
Impulse Breakdown Voltage	<300V	100V/ μ Sec max
Capacitance (Line to Ground)	≤ 30 pF	Per GR-974-CORE
Capacitance (Line to Line)	≤ 30 pF	Per GR-974-CORE
Clamping Time	<35nS	IEEE P 465. 4/05
Surge Endurance (Unlimited Operations)	100A/side	10/1000 μ Sec max Per GR-974-CORE
Line Series (In-Out) Resistance ¹	4 Ω max. 6.5 Ω max.	210 Sec. max. @ 540 mA 210 Sec. max. @ 350 mA
Insulation Resistance (minimum)	100M Ω	100 VDC
DC Holdover at 25°C		
52V	260mA	20 mSec max to extinguish
135V	200mA	
150V	140mA	

EQUIVALENT CIRCUIT:**HEAT COIL SPECIFICATIONS:**

1A 6.5 Ω Heat Coil is used for faster overcurrent protection. A 4 Ω Heat Coil is available for GR-974 requirements. Both 6.5 Ω and 4 Ω devices will short in less than 10 Sec. max. when subjected to 1A or more .

Operating temperature: -13° to 149°F (-25° to +65°C)

Heat Coil/Sneak Current Specifications (4 Ω max):

- The device will conduct up to 360 mA indefinitely.
- The device will short/open in less than 210 Sec. maximum when subjected to 540 mA.
- The device will short/open in less than 10 Sec. maximum when subjected to 1A or more.



For more information contact:
6851 Jericho Turnpike, Suite 170
Syosset, NY 11791 USA
Tel. 1-516-364-9300 : Fx. 1.516.682.4636
sales@portasystems.com (Americas)
sales@portasystems.co.uk (Europe)