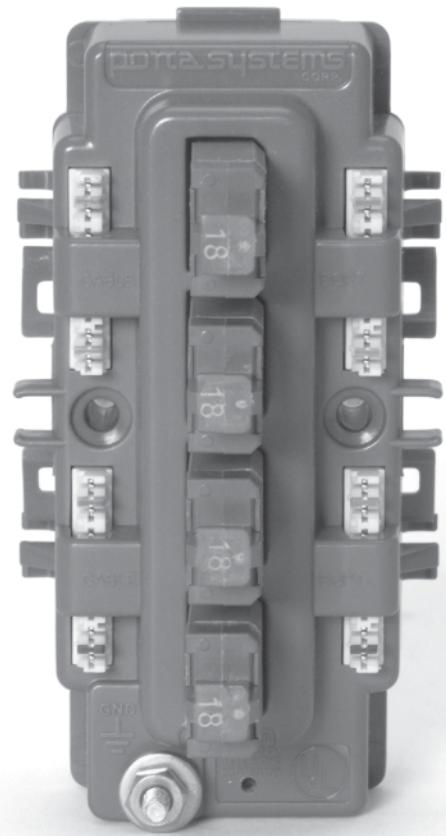


For protection of data network equipment (workstations, routers, switches, hubs).

**FEATURES & BENEFITS**

- Building Entrance Protection that maintains CAT 6 performance
- UL 497, 497A and UL 497B listed for Primary, Secondary, and Isolated Loop Circuit Protection
- Ultra low capacitance solid state technology provides protection for frequencies up to 250 MHz
- 110 termination
- Cover included
- Designed for use in enclosure
- Available with factory installed solid state protector modules for 18V, 27V or 65V
- ISO 9001:2000 registered facility
- Operating Temperature: -13°F to 149°F (-25°C to 65°C)



**ORDERING INFORMATION**

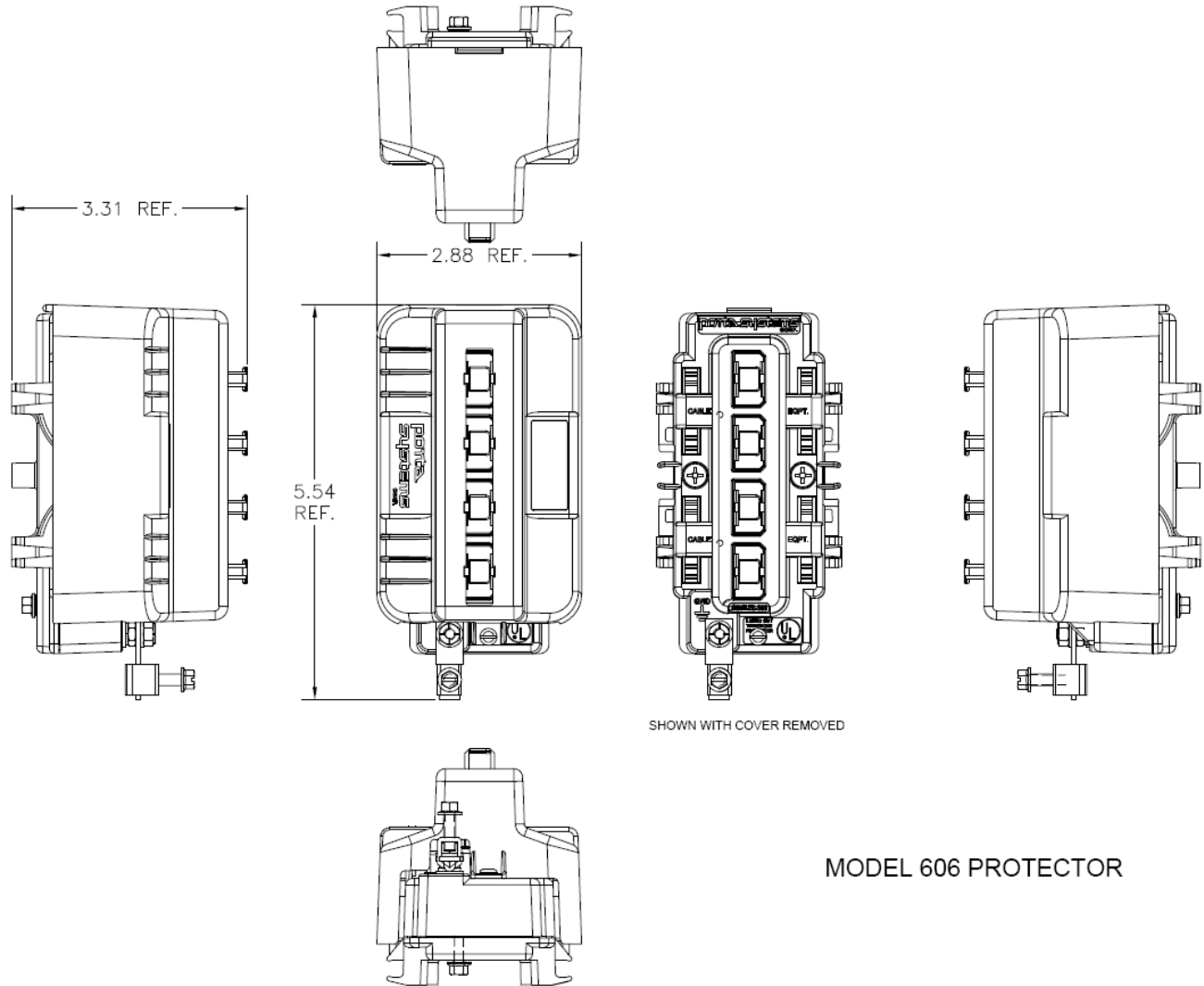
Model#	Termination	Modules	Module Model#	Cover
606-18	110	18V	LVP6-18	Yes
606-27	110	27V	LVP6-27	Yes
606-65	110	65V	LVP6-65	Yes

PROTECTOR PACKS



110 Termination

MECHANICAL SPECIFICATIONS FOR 606 PROTECTOR PACK:



Pair Count	Dimensions (height x width x depth)	Weight (approx.)*
	4.75" x 2.9" x 3.49" (12.1 cm x 7.3 cm x 8.6.5 cm)	lbs.

\* weight - Add approx 0.5 oz per installed module.



For more information contact:  
 6851 Jericho Turnpike, Suite 170  
 Syosset, NY 11791 USA  
 Tel. 1-516-364-9300 : Fx. 1.516.682.4636  
 sales@portasystems.com (Americas)  
 sales@portasystems.co.uk (Europe)