

For protection of LAN equipment and data communications circuits. Solid state technology provides fast reaction to hazardous voltage conditions and prevents damage to sensitive data equipment.

For CAT 5E applications use with our 505E or 1504PX2 Protector Pack™.

## FEATURES & BENEFITS

- UL 497/497A/497B Listed for Primary, Secondary and Isolated Loop Circuit protection
- Less than 5 nanoseconds response time
- Low capacitance solid state technology provides protection for frequencies up to 100 MHz
- Detent position facilitates testing
- Reduces service calls and repair costs
- Designed for CAT5E applications
- Available in 7.5V, 16V, 18V, 27V or 65V



## ORDERING INFORMATION

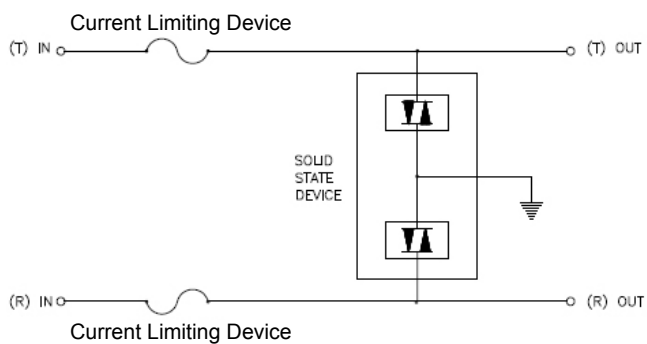
Configuration	Over Current Protection	7.5 Volt	16 Volt	18 Volt	27 Volt	65 Volt
Single-Pin	Current Limiting Device	LVP7.5E	LVP16E	LVP18E	LVP27E	LVP65E

The models listed above represent our most popular protectors. Contact our sales department for other models not shown.

## Low Voltage Data Protector Modules

**ELECTRICAL SPECIFICATIONS:**

Electrical	7.5 Volt	16 Volt	18 Volt	27 Volt	65 Volt	Test Parameters
DC Breakdown Voltage	7.5V	16V	18V	27V	65V	2000V/Sec max
Impulse Breakdown Voltage	7.5V	16V	18V	27V	65V	100V/ $\mu$ Sec max
Clamping Time	<5n Sec	<5n Sec	<5n Sec	<5n Sec	<5n Sec	-
Capacitance (Maximum)	<30 pF	<30 pF	<30 pF	<30 pF	<30 pF	1 KHz, 0 VDC
Surge Endurance Number of Operations is Unlimited	100A/side	100A/side	100A/side	100A/side	100A/side	10/1000 $\mu$ Sec max
Line Series Resistance	<1 ohm	<1 ohm	<1 ohm	<1 ohm	<1 ohm	Line in/Line Out
Insulation Resistance (minimum)	100M $\Omega$	100M $\Omega$	100M $\Omega$	100M $\Omega$	100M $\Omega$	@ DCB
Current Limiting Protection	Indefinite 1 hour max 60 sec. max	Indefinite 1 hour max 60 sec. max	Indefinite 1 hour max 60 sec. max	Indefinite 1 hour max 60 sec. max	Indefinite 1 hour max 60 sec. max	500 mA 1 A 1.5 A

**EQUIVALENT CIRCUIT:**

Operating temperature: -13° to 149°F (-25° to +65°C)



For more information contact:  
 6851 Jericho Turnpike, Suite 170  
 Syosset, NY 11791 USA  
 Tel. 1-516-364-9300 : Fx. 1.516.682.4636  
 sales@portasystems.com (Americas)  
 sales@portasystems.co.uk (Europe)