

For protection of LAN equipment and data communications circuits. Solid state technology provides fast reaction to hazardous voltage conditions and prevents damage to sensitive data equipment.

For CAT 5E applications use with our 505E or 1504PX2 Protector Pack™.

## FEATURES & BENEFITS

- UL 497/497A/497B Listed for Primary, Secondary and Isolated Loop Circuit protection
- Less than 5 nanoseconds response time
- Low capacitance solid state technology
- Detent position facilitates testing
- Reduces service calls and repair costs
- Five-pin configuration compatible with other manufacturers equipment
- Available in 7.5V, 18V or 27V



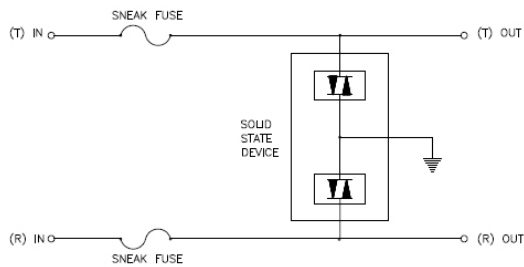
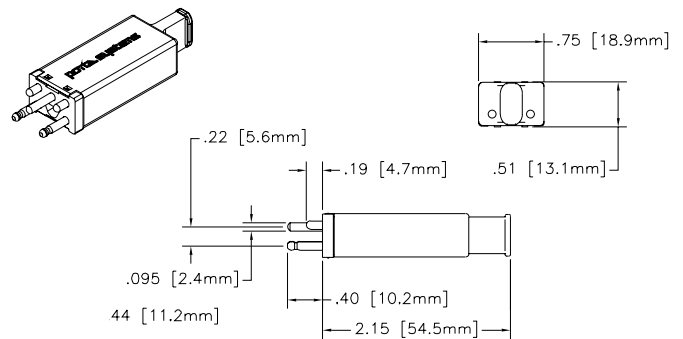
## ORDERING INFORMATION

Configuration	Overcurrent Protection	7.5 Volt	18 Volt	27 Volt
Five-Pin	Sneak Fuse	MLVP7.5	MLVP18	MLVP27

The models listed above represent our most popular protectors. Contact our sales department for other models not shown.

**ELECTRICAL SPECIFICATIONS:**

Electrical	7.5 Volt	18 Volt	27 Volt	Test Parameters
DC Breakdown Voltage	7.5V	18V	27V	2000V/Sec max
Impulse Breakdown Voltage	7.5V	18V	27V	100V/μSec max
Clamping Time	<5n Sec	<5n Sec	<5n Sec	-
Capacitance (Maximum)	<30 pF	<30 pF	<30 pF	1 KHz, 0 VDC
Surge Endurance Number of Operations is Unlimited	100A/side	100A/side	100A/side	10/1000μ Sec max
Line Series Resistance	<1 ohm	<1 ohm	<1 ohm	Line in/Line Out
Insulation Resistance (minimum)	100MΩ	100MΩ	100MΩ	50 VDC 100VDC
Overcurrent Protection	Indefinite 1 hour max 60 sec. max	Indefinite 1 hour max 60 sec. max	Indefinite 1 hour max 60 sec. max	500 mA 1 A 1.5 A

**EQUIVALENT CIRCUIT:****MECHANICAL SPECIFICATION:**

Operating temperature: -13° to 149°F (-25° to +65°C)



For more information contact:  
 6851 Jericho Turnpike, Suite 170  
 Syosset, NY 11791 USA  
 Tel. 1-516-364-9300 : Fx. 1.516.682.4636  
 sales@portasystems.com (Americas)  
 sales@portasystems.co.uk (Europe)