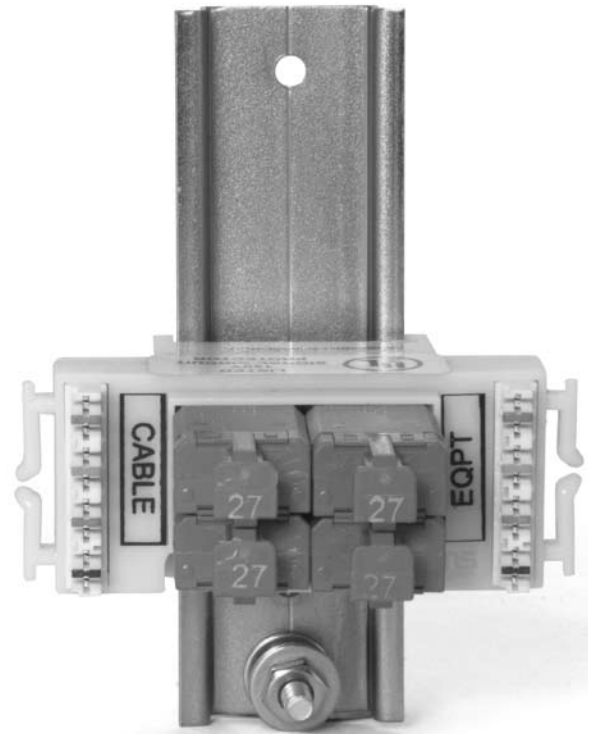


For protection of data network equipment (routers, switches, hubs).

FEATURES & BENEFITS

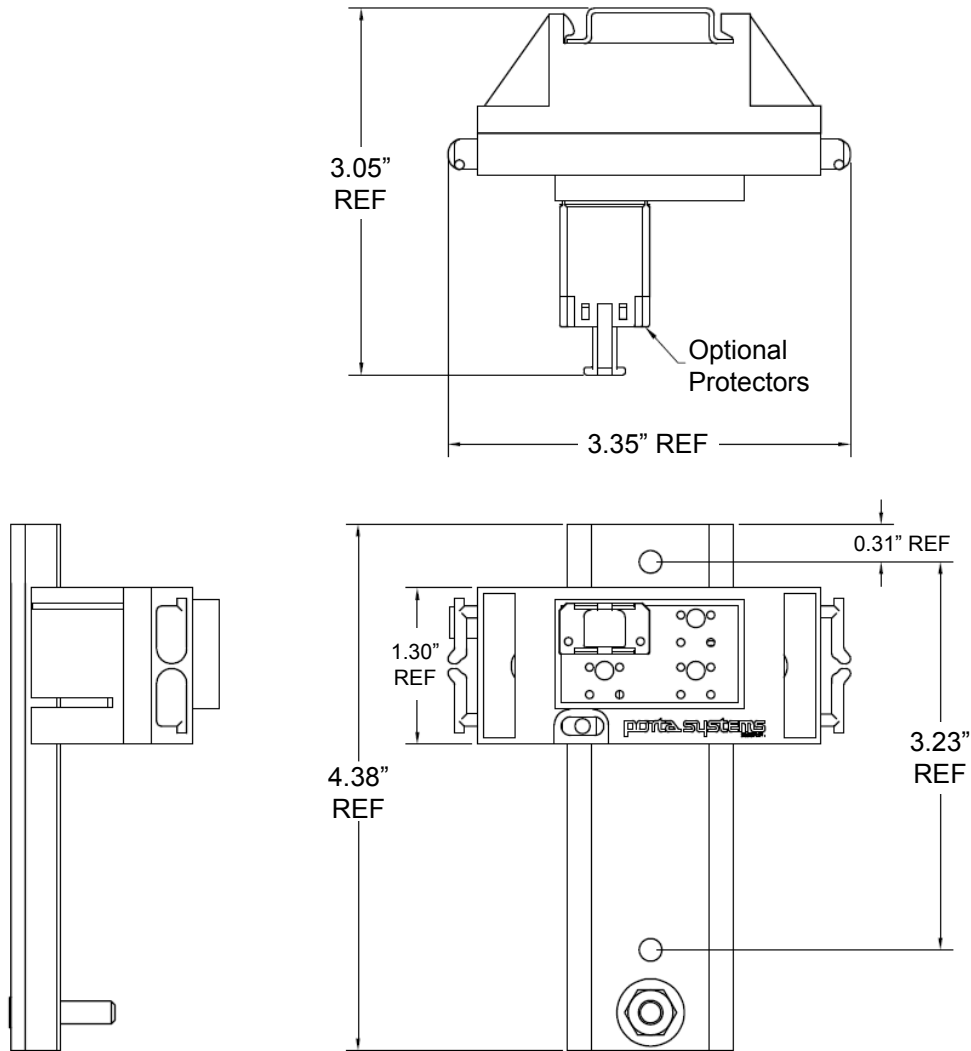
- Ultra low capacitance Solid State Technology provides protection for frequencies up to 100 MHz for CAT 5E performance
- UL 497, 497A and UL 497B listed for Primary, Secondary, and Isolated Loop Circuit Protection
- DIN rail mounting bracket included with 4 pair
- 110 termination
- Cover included
- Designed for use in enclosure
- Available with factory installed solid state protector modules for 18V, 27V or 65V
- Modular design allows for easy custom configuration
- ISO 9001:2000 registered facility
- Operating Temperature: -13°F to 149°F (-25°C to 65°C)



ORDERING INFORMATION

Model#	Pair Count	Mounting	Termination	Modules	Module Model#	Cover
505E4-18	4	DIN rail	110	18V	LVP18E	Yes
505E4-27	4	DIN rail	110	27V	LVP27E	Yes
505E4-65	4	DIN rail	110	65V	LVP65E	Yes

MECHANICAL SPECIFICATIONS FOR 505E4 PROTECTOR PACK:



Pair Count	Dimensions (height x width x depth)	Weight (approx.)*
4 PAIR w/o DIN rail	1.3" x 3.9" x 3.5" (3.3 cm x 9.9 cm x 8.9 cm)	1 lbs.
4 PAIR w/ DIN rail	4.4" x 3.9" x 3.5" (11.2 cm x 9.9 cm x 8.9 cm)	1.5 bs.

* Weight - Add approx 0.5 oz per installed module.



For more information contact:
 6851 Jericho Turnpike, Suite 170
 Syosset, NY 11791 USA
 Tel. 1-516-364-9300 : Fx. 1.516.682.4636
 sales@portasystems.com (Americas)
 sales@portasystems.co.uk (Europe)