

Porta Systems Video Hub permits up to four (4) composite video signals to be carried over one CAT 3 or better cable. The Porta video hub has built-in over voltage protection.

#### FEATURES & BENEFITS

- Eliminates costly and bulky coaxial cable
- Passes video 1000 ft. (305 m) with no noticeable signal loss or distortion.
- Distribute audio and video to multiple locations via UTP
- Allows greater control, moves and changes
- Built-in over voltage protection
- Easy installation



### Applications

- Distribute video to multiple locations via UTP
- Ideal for classroom video instruction, corporate presentations, tradeshow demonstrations, CCTV security and surveillance

### Wire and Cable Recommendations

The Porta video hub is intended for use with unshielded twisted pair (UTP) cabling. The unit operates over wire gauges from 30 AWG through 16 AWG. This video hub connects to Category cabling, allowing video to be operated in the same cable as voice, data and power signals.

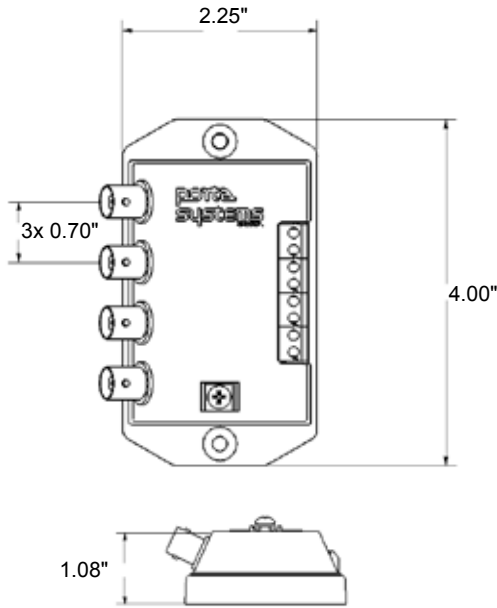
For more specific information regarding wire types and proper installation techniques, please call 800.93.PORTA for technical assistance.

## ORDERING INFORMATION

| Model No.  | Description                       |
|------------|-----------------------------------|
| PS-212-HUB | 4-channel Passive Video-Audio Hub |

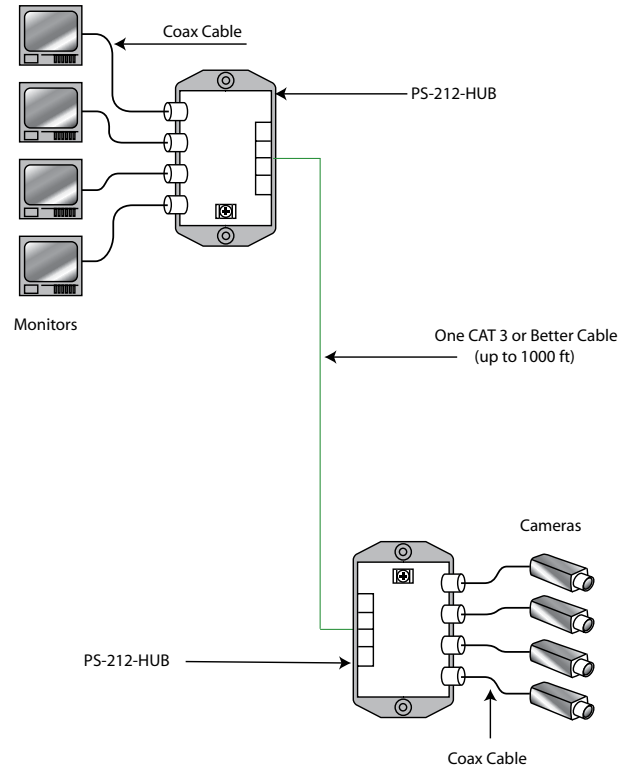
Protecting and Connecting Your Security

**MECHANICAL SPECIFICATIONS:**



| Weight (approx.) | Operating Temperature | Humidity |
|------------------|-----------------------|----------|
| 4.8 oz (136g)    | -15°C to 45°C         | 98% max  |

**APPLICATION DIAGRAM:**



**Electrical Specifications**

|                          |  |                     |                                |
|--------------------------|--|---------------------|--------------------------------|
| Frequency:               | 20 Hz to 10 MHz                          | Insertion Loss:     | 0.3 dB                         |
| Common Mode Rejection:   | >50 dB (Typical)                         | UTP Category:       | 3 to 6                         |
| Power:                   | Not required                             | Impedance:          | Coax Cable - 75Ω<br>UTP - 100Ω |
| Connection Method:       | BNC Female<br>(In/Out)<br>Screw Terminal | Max Surge Current:  | 220A                           |
| DC Breakdown Voltage:    | 6.8VDC                                   | Max Distance (UTP): | 1000 ft                        |
| Nominal Working Voltage: | 5VDC                                     | Limiting Currents:  | 360mA                          |
| Response Time:           | <5 ns                                    |                     |                                |



For more information contact:  
6851 Jericho Turnpike, Suite 170  
Syosset, NY 11791 USA  
Tel. 1-516-364-9300 : Fx. 1.516.682.4636  
sales@portasystems.com (US)  
sales@portasystems.co.uk (UK)