

Porta Systems durable Video Balun Combiner is an economical solution to send video, power and data over a single CAT 3 or better cable up to 1000 ft. (305 m).



**FEATURES & BENEFITS**

- Combines video, power, and data into a single UTP cable
- Eliminates costly and bulky coaxial cable
- Signal loss and distortion negligible
- Allows neater and more streamlined cabling
- Easy installation

**Applications**

- Intra-building CCTV installations (instead of coaxial cable)
- Structured cabling (CAT 5 environments)
- Multi-camera applications through a smaller diameter of space.

**Wire and Cable Recommendations**

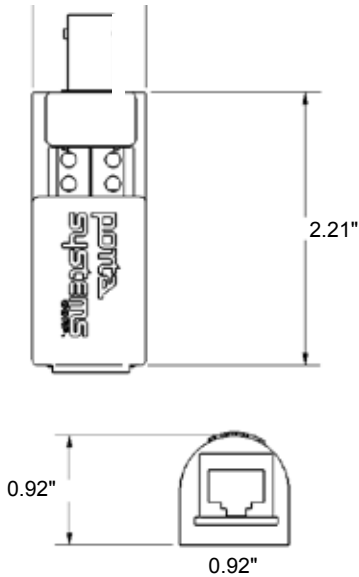
The Porta balun combiner is intended for use with unshielded twisted pair (UTP) cabling. Screw terminals accept wire gauges from 30 AWG through 16 AWG. This balun combiner connects easily to any Category cabling, allowing video to be operated in the same cable as voice, data and power signals.

For more specific information regarding wire types and proper installation techniques, please call 800.93.PORTA for technical assistance.

**ORDERING INFORMATION**

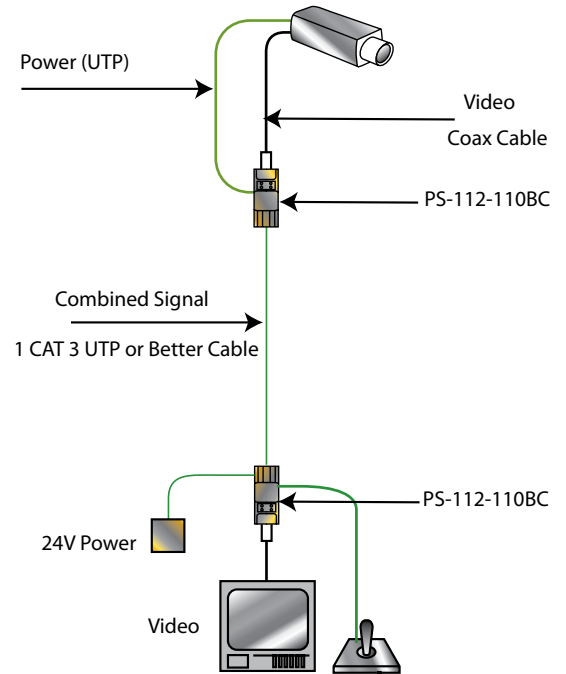
Model No.	Description
PS-112-110BC	Balun Combiner with 110 connector
PS-112-45BC	Balun Combiner with RJ45 connector

**MECHANICAL SPECIFICATIONS:**



Weight (approx.)	Operating Temperature	Humidity
1.6 oz (45g)	-15°C to 45°C	98% max

**APPLICATION DIAGRAM:**



**Electrical Specifications**

Frequency:	20 Hz to 10 MHz	Insertion Loss:	0.3 dB
Common Mode Rejection:	>50 dB (Typical)		
Power:	Not required	UTP Category:	3 to 6
Connection Method:	Video : BNC Female (In) Power : Screw Terminal (In) Data : Screw Terminal (In) RJ45 or 110 (Out)	Nominal Working Voltage:	Video - 5VDC Power - 24V Data - 5VDC
Impedance:	Coax Cable - 75Ω	Impedance:	UTP - 100Ω
Response Time:	<5 ns		
Max Distance (UTP):	1000 ft		



For more information contact:  
 6851 Jericho Turnpike, Suite 170  
 Syosset, NY 11791 USA  
 Tel. 1-516-364-9300 : Fx. 1.516.682.4636  
 sales@portasystems.com (US)  
 sales@portasystems.co.uk (UK)