

Protect expensive CCTV equipment from damaging power surges. The Porta Systems Coax Cable Surge Protector can be used with both analog and digital video security systems. Safeguards security cameras, DVR's, VCR's and monitors.



#### FEATURES & BENEFITS

- Provides surge protection for all devices connected to coax cable
- Ideal protection for valuable CCTV cameras and DVR's
- Easy installation

### Applications

- Ideal protection for cable modems, CATV converters, decoders, TV, satellite and CCTV systems
- For indoor use

### Wire and Cable Recommendations

Provides damage protection from lightning or any other high voltage surge for all devices connected to coax cable.

For more specific information regarding wire types and proper installation techniques, please call 800.93.PORTA for technical assistance.

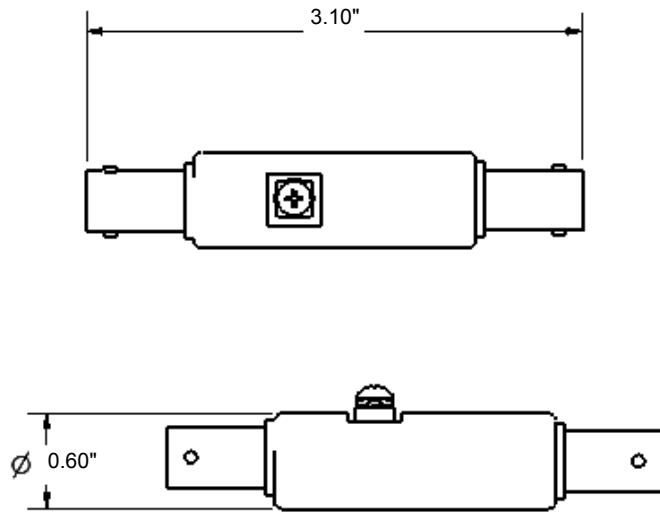
## ORDERING INFORMATION

Model No.	Description
PS-231-CX-FF	Low frequency coax cable surge protector (Female-Female)
PS-231-CX-MF	Low frequency coax cable surge protector (Male-Female)

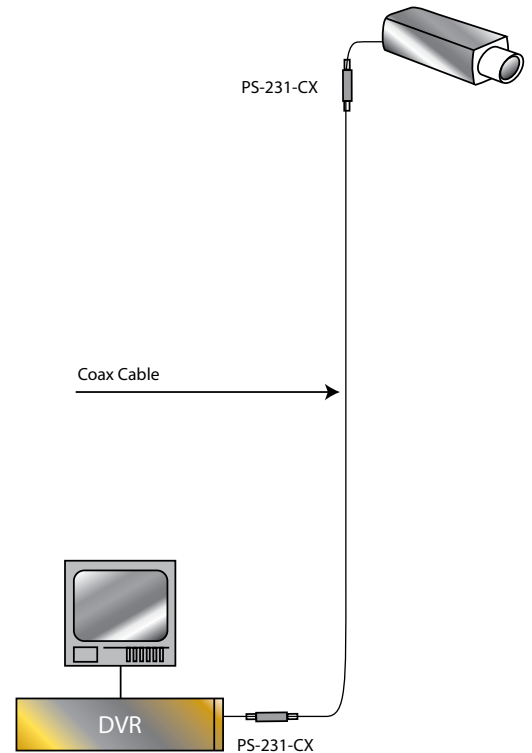
Protecting and Connecting Your Security

**MECHANICAL SPECIFICATIONS:**

**APPLICATION DIAGRAM:**



Weight (approx.)	Operating Temperature	Humidity
1.6 oz (45g)	-15°C to 45°C	98% max



**Electrical Specifications**

Frequency:	20 Hz to 40 MHz	Insertion Loss:	0.3 dB
Power:	Not required	UTP Category:	3 to 6
Connection Method (In/Out):	BNC - BNC	Nominal Working Voltage:	Video-5VDC
Breakdown Voltage:	Video-6.8VDC	Max Surge Current:	220A
Response Time:	<5 ns	Impedance (Coax Cable):	75Ω



For more information contact:  
 6851 Jericho Turnpike, Suite 170  
 Syosset, NY 11791 USA  
 Tel. 1-516-364-9300 : Fx. 1.516.682.4636  
 sales@portasystems.com (US)  
 sales@portasystems.co.uk (UK)