



The Porta Systems High Frequency TNC coax surge protector protects antenna, broadband wireless, two-way radio, and cellular systems from lightning strikes and other damaging power surges.

Porta Systems in-line Coax Cable Surge Protector can be used with both analog and digital video security systems.



#### FEATURES & BENEFITS

- Provides surge protection for all devices connected to coax cable
- Ultra Fast Discharge <1KV/usec
- VSWR better than 1.4:1
- Bulkhead Mount TNC connectors
- Easy installation

#### Applications

- Ideal protection for Tower Mounted Amplifiers (TMA), Antenna Systems, WiFi, Broadband Wireless, 900MHz systems, Transmitters and Receivers
- For indoor/outdoor use
- Safeguards security cameras, DVR's, VCR's and monitors.

#### Wire and Cable Configuration

In-line female-to-female and male-to-female TNC connectors.

For more specific information regarding wire types and proper installation techniques, please call 800.93.PORTA for technical assistance.

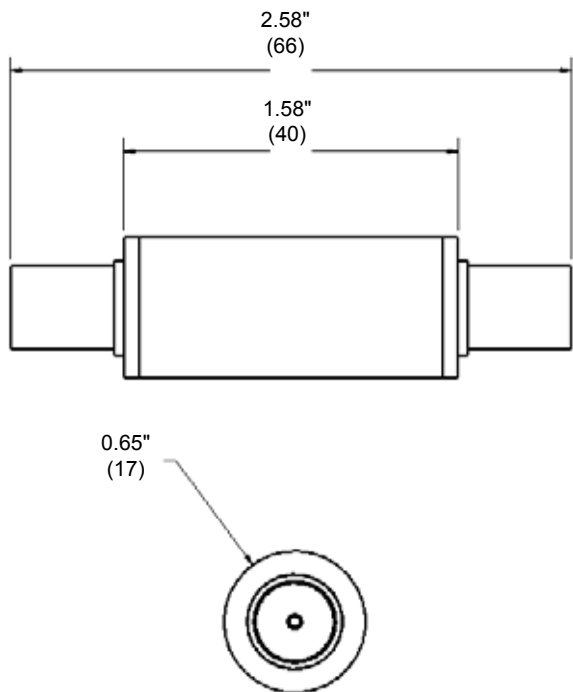
### ORDERING INFORMATION

Model No.	Description
PS-090-CXT-FF	90 volt high frequency coax cable surge protector w/TNC connectors (Female-Female)
PS-090-CXT-MF	90 volt high frequency coax cable surge protector w/TNC connectors (Male-Female)
PS-230-CXT-FF	230 volt high frequency coax cable surge protector w/TNC connectors (Female-Female)
PS-230-CXT-MF	230 volt high frequency coax cable surge protector w/TNC connectors (Male-Female)
PS-350-CXT-FF	350 volt high frequency coax cable surge protector w/TNC connectors (Female-Female)
PS-350-CXT-MF	350 volt high frequency coax cable surge protector w/TNC connectors (Female-Female)

Protecting and Connecting Your Security

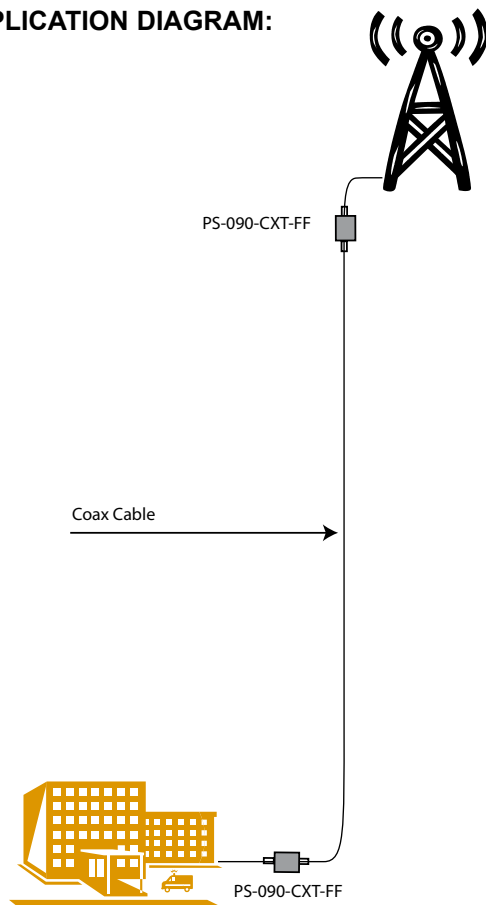
**MECHANICAL SPECIFICATIONS:**

millimeters ( )



Weight (approx.)	Operating Temperature	Relative Humidity
2.5 oz	-40°F to 185°F	98% RH max
70 g	-40°C to 85°C	non-condensing

**APPLICATION DIAGRAM:**



**Electrical Specifications**

Frequency:	DC to 1 GHz	Insertion Loss:	0.3 dB
Power:	Not required	VSWR:	1.2:1
Connection Method (In/Out):	TNC Male or Female	Nominal Working Voltage:	90V, 230V or 350V
Breakdown Voltage:	72-108V, 184-276V or 280-420V	Max Surge Current 8/20µs	10KA
Impulse Breakdown Voltage 1000V/µs:	<500V	Impedance (Coax Cable):	50Ω