

Porta Systems 2 and 4 conductor Surge Protectors safeguard security equipment operating at 24 volts or less.



PS-220-24SP



PS-240-24SP

FEATURES & BENEFITS

- The 27-Volt rating is appropriate to protect any circuit operating at 24 volts or less
- Provides common-mode over-voltage protection and ground loop isolation
- Compact lightweight design

Applications

- Protect any circuit operating at 24 volts or less fed by conductors run outdoors.
- Examples include alarm, and access control circuits.

Wire and Cable Configuration

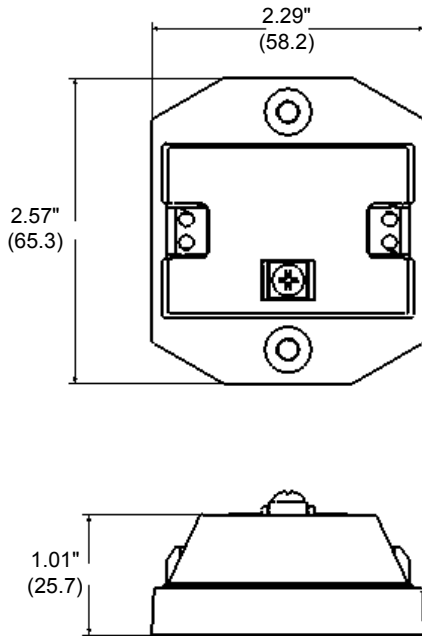
Two (2) or four (4) point screw terminal blocks (30 AWG through 16 AWG) at the input and output
One (1) screw (22AWG through 14AWG) serves as the grounding point for the protection system

ORDERING INFORMATION

Model No.	Description
PS-220-24SP	Two-Conductor Surge Protector (24 Volt)
PS-240-24SP	Four-Conductor Surge Protector (24 Volt)

MECHANICAL SPECIFICATIONS*:

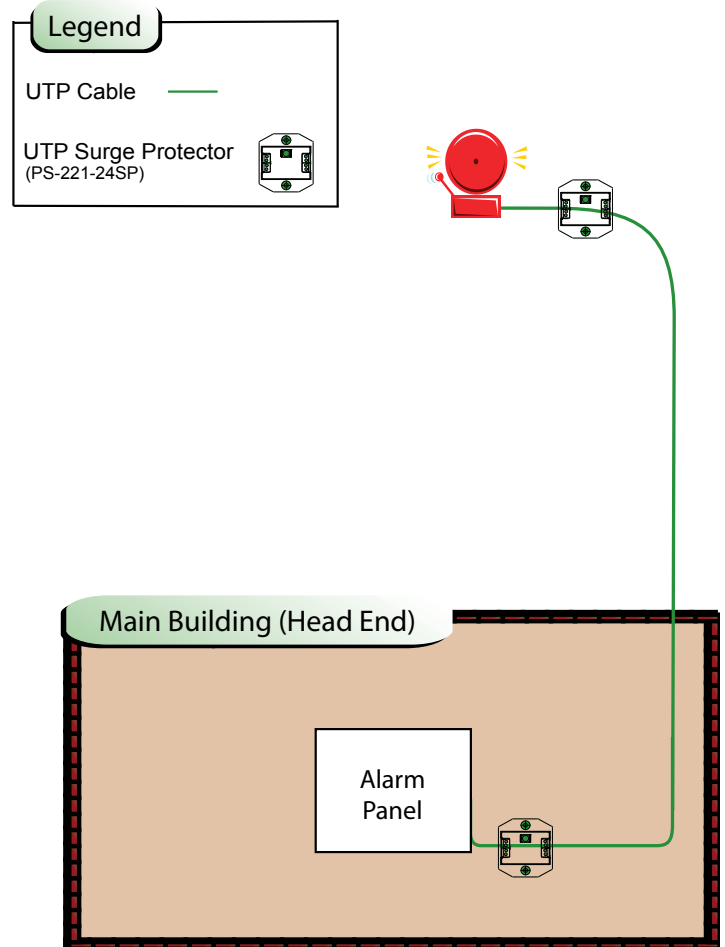
millimeters ()



* All models have the same dimensions.

Weight (approx.)	Operating Temperature	Relative Humidity
1.6 oz	5°F to 113°F	98% RH max
45 g	-15°C to 45°C	non-condensing

APPLICATION EXAMPLE:



Electrical Specifications

Frequency:	20 Hz to 10 MHz	Insertion Loss:	0.3 dB
Common Mode Rejection:	>50 dB (Typical)	UTP Category:	≥3
Power:	Not required	Nominal Working Voltage:	24VDC
Connection Method:	Screw Terminals/Screw Terminals (In/Out)	Max Surge Current:	Video - 220A Data - 90A
DC Breakdown Voltage:	27VDC	Max Operating Current:	1.5A
Impedance:	UTP:100Ω		
Response Time:	<5 ns		